

DEVELON

-7 Series

Mini Excavators

DX17Z-7 / DX27Z-7 / DX35Z-7 / DX42-7 / DX50Z-7 / DX55R-7
DX62R-7 / DX63-7 / DX89R-7 / DX100W-7



Continuous Evolution, for Better.

We trace our roots to 1937 as one of Korea's first large-scale machine plants. During that time, we have consistently delivered earthmoving equipment to build critical infrastructure for the betterment of communities, societies and the wider world.

We are DEVELON.

DEVELON is a bold name that reflects our core ambition to continue developing onward and leaving behind a positive footprint in our world. Moving forward, we will continue providing innovative products and solutions that advance the world we live in today.

Your Local Dealer Is Dedicated to Your Success.

Your local DEVELON dealer is here to provide a full lineup of highly productive and fuel-efficient equipment, outstanding value and comprehensive services to help build your success.

Expanding Equipment Lineup

DEVELON continues to expand our innovative and durable lineup of equipment. Talk with your dealer to find the right equipment, attachments and technologies to move ahead.

Authorized DEVELON Service Technicians

You can count on experienced and highly skilled professional technicians to keep your DEVELON equipment running at peak performance.

Parts Availability

Your dealer can offer more parts inventory and faster delivery – thanks to our two warehouses in Georgia and Washington.

Machine Assembly Facility

A dedicated facility tailors the equipment configuration and final machine assembly for faster delivery to your dealership.



DEVELON

DEVELON -7 Series Mini Excavators.

All-new DEVELON -7 Series mini excavators have been designed inside and out to tackle your most challenging job site hurdles in congested worksites. Updated with more standard features, they deliver improved maneuverability, attachment versatility and operator comfort.

Maximum Versatility

- Auxiliary Hydraulic Lines
- Rotating Piping (4-Ton and Above)
- Thumb Ready Arm (Excludes 10-Ton)
- Quick-Coupler-Ready

Unmatched Comfort

- Superior Air Conditioning System
- Common DEVELON Controls
- Full-Color LCD Display
- Rearview Camera Option

Smart Technology

- MY DEVELON Fleet Management

Rugged Durability

- Width-Protected Swing Frame
- Tough Hoses and Smart Routing

Enhanced Performance

- Zero Tail Swing and Reduced Tail Swing Designs
- Larger, Integrated Counterweight
- Rubber Track Undercarriage



Awarded to
DX62R-7, DX63-7.



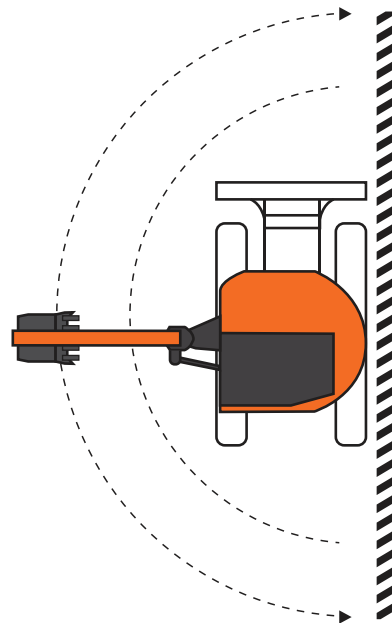
Awarded to DX27Z-7,
DX35Z-7, DX50Z-7.



Awarded
to DX42R-7.

All You Need for Big Work in Tight Spaces.

DEVELON -7 Series mini excavators deliver the compact size and rugged capability you need to take on demanding digging and lifting tasks in tight, crowded worksites. You can rely on them to dig, lift, swing, load and travel where larger machines can't. Maneuverable and powerful, they'll run circles around your biggest job site obstacles.



Zero Tail Swing and Reduced Tail Swing Designs

New rounded design allows you to maneuver with confidence next to structures without sacrificing turning, digging or lifting performance.

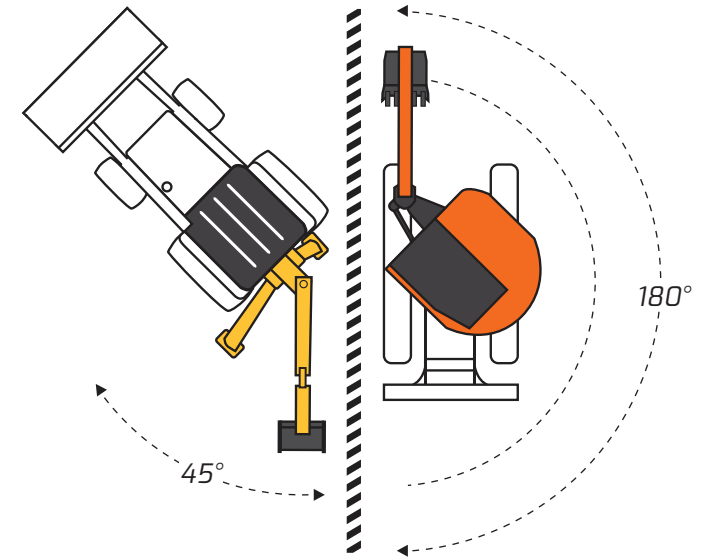
Width-Protected Swing Frame

The swing casting and cylinders remain within the track width, making it less likely you'll damage these components or the structures and obstacles you're working around.

Better Than a Tractor Loader Backhoe (TLB)

- The -7 Series machine house swings 360 degrees, continuously rotating for faster and more flexible spoil placement and less repositioning. A TLB has a limited swing of 180 degrees without obstructions.
- When working against an obstacle, a -7 Series machine provides a full 180 degrees of movement, while a TLB is limited to just 45 degrees of work group movement.
- The independent boom swing of the -7 Series mini excavator enables offset digging without repositioning. That's virtually impossible in a TLB. The boom swings independently of the excavator house, 60 degrees to the left and 53 degrees to the right (precise angle differs from model to model).

- The mini excavator's tracked undercarriage provides superior flotation and traction and less ground disturbance compared to a TLB.
- In an excavator, you'll sit to the side of the boom for a clear view of the bucket or attachment. In a TLB, you'll have to lean around the boom to see properly.



Our Smallest Model Ever

At 48 inches wide (when fully retracted), the DX17Z-7 easily travels inside, around and between structures. The canopy-style machine with retractable tracks and collapsible dozer blade makes quick work of projects traditionally done with shovels and wheelbarrows.

Intuitive Controls

The multi-function 5-inch digital screen on the DX17Z-7 displays all vital machine data, including power, auxiliary hydraulics and Bluetooth® technology, in an easy and intuitive format. Accessible and ergonomic travel levers make selecting your speed simple.

Compact Durability

The standard guard protects the machine's cylinders in the event of collisions with other objects. Rubber hoses are routed through the lower portion of the boom swing casting to stand up to rugged working conditions. No engine aftertreatment is needed.

Count on All-Around Productivity.

Working in cramped, crowded workspaces still requires all the capabilities of larger machines. For utility work, landscaping, construction, site prep or projects on residential properties, -7 Series mini excavators deliver the exceptional performance every job demands.



DEVELON Diesel Engine
Optimized to provide the ultimate in power delivery and fuel economy, the DEVELON mini excavators' Tier 4-compliant DEVELON engines reduce emissions and air pollution.



Auto Idle
To reduce noise, improve job site communications and save fuel, this standard feature idles your engine automatically when machine functions are not used for a few seconds. When you move the controls, the excavator automatically returns to your previous throttle setting.

Strong, Smooth, Predictable Work Group

- Pilot-operated control valves deliver the smooth, predictable control of the work group required for precision work in close quarters.
- A smooth control valve system provides ample, consistent oil flow for fast cycle times and an agile response to your commands. You won't have to sacrifice speed to get steady operation.

Auto Downshift

When turning, pushing and maneuvering, the mini excavator will auto downshift so the machine won't bog down when traveling. As the load decreases, it automatically shifts back into high range.

Integrated Slew Brakes

Infinite brake positioning makes it easier to load the machine onto a trailer or position it when working.



Backfill Blade

Level, backfill, grade and push material with ease. The blade float feature (4-ton and above) is activated by pushing the lever fully forward into the detent position, which allows the blade to follow the contours of the ground without operator input.

4-Way Angle Blade Option

Turning and tilting action allows you to more easily cut angles and slopes and efficiently backfill. (Available on DX42-7 only.)



Standard Rubber Track Undercarriage

Get superior flotation and traction on sensitive or soft surfaces and minimize damage when traveling across established surfaces — reducing the need to return to the job for repairs. A steel track undercarriage option is available on models DX50Z-7 and larger.

Enhanced Digging and Lifting Performance



- **The integrated counterweight** improves machine balance and structural durability. It also enables offset digging without the need to reposition the machine.
- **The standard arm** delivers maximum breakout force and lifting ability. When you need more reach and dig depth, equip your machine with **the optional long arm** available for select models.
- Time is money, and DEVELON -7 Series mini excavators offer **fast cycle times** to get the job done quickly, with cylinders precisely sized to match pump capacities.
- **Efficient torque-limiting piston pumps** respond to load demands, delivering arm and bucket forces that meet the challenge of your most difficult jobs.

It's All About the Operator.

We've added more standard features to our -7 Series mini excavator lineup that provide added comfort. Whether you're working long days or in extreme weather, you'll stay comfortable and focused on getting the job done.



Cab Comforts

The roomy cab is easy to enter and exit and is quiet – thanks to a quiet engine and solid cab construction with innovative, noise-reducing materials. Lockable storage keeps your personal items secure and out of the way.

- **The superior air conditioning system** is a standard feature on all enclosed-cab -7 Series mini excavator models. The fully integrated heat and air conditioning system offers multiple vents throughout the cab for excellent airflow and temperature maintenance.
- **An upgraded, adjustable heated seat** includes a seat base with extra layers of insulation – minimizing heat transfer and vibration from the engine to provide a new level of comfort.
- Starting mid-year 2024, an air-suspension seat comes standard on models 5-ton and above.
- Flip-up foot pedals provide extra foot space when needed.
- Hands-free Bluetooth® audio is standard on enclosed cab models.
- An open canopy option is available on 5-ton models and smaller, featuring a Roll Over Protective Structure (ROPS).



8-inch screen shown.

Common DEVELON Controls

The controls, buttons and general operations are similar to those on our large crawler and wheel excavators – making it easy to move from machine to machine. Choose the control pattern you prefer: ISO or BHL.

- A simple thumb switch on the right joystick controls auxiliary hydraulic functions, making fine adjustments effortless and improving your efficiency throughout the day.

- A thumbwheel on the left joystick controls your boom swing and provides an additional auxiliary control method. A rocker-switch on the keypad switches between operations.
- Our smaller-sized mini excavators (DX17Z-7, DX27Z-7 and DX35Z-7), feature an extra floor pedal for the boom swing.

Full-Color LCD Screen

Two easy-to-read, full-color screen options provide a high-resolution graphic display, enhanced machine vitals and diagnostic screens:

- 5.7" screen - standard on all canopy models.
- 8" screen - standard on cabin models 5-ton and above.

Excellent Visibility



- A rearview camera, standard on models 5-ton and above starting mid-year 2024, offers an additional view that allows you to navigate easily on job sites.
- The framed, full glass door provides exceptional visibility to the area alongside the excavator.
- The around view monitor (AVM) camera system, standard on models 8-ton and above starting mid-year 2024, displays a full view of the machine's surroundings for greater confidence when operating in tight work areas.

- High-illumination LED lamps enhance visibility to the work area to ensure that you can see the work group, particularly the attachment.
- A rotating beacon, standard on select models starting mid-year 2024, is available for enhanced safety when operators are working in high-traffic areas or low-light situations.

Versatility to Help You Do It All.

Attachments help you complete multiple tasks using one machine. The -7 Series mini excavators are designed for quick attachment changes, making it easy to diversify your business and expand the services you offer.



Attachment-Ready

DEVELON mini excavators provide immediate multi-attachment functionality without additional installations or modifications. Available attachments from DEVELON include a bucket, thumb and quick coupler. See page 23 for attachment details.



Thumb-Ready Arm

All -7 Series mini excavators have a thumb-ready arm* that includes durable thumb mounts integrated into the arm. There's no welding required to add a thumb.

Auxiliary Hydraulic Lines

Auxiliary hydraulics are configured with flush-face couplers on select models to make quick, easy hose connections when using hydraulic attachments.

Adjustable Auxiliary Hydraulic Flow

Adjustable flow rates help optimize the response of hydraulic attachments — including thumbs, hydraulic breakers and augers. Select lower flow for more precise control or higher flow for peak hydraulic attachment performance.

Secondary Auxiliary Hydraulics Option

Add an optional second set of hydraulics when you need to run multi-function attachments that require multi-function hydraulic flow. Secondary auxiliary hydraulics are ideal for using tiltrotator attachments.

Rotating piping for use with a tiltrotator attachment comes standard on models 4-ton and above.



DEVELON Quick Coupler

DEVELON quick couplers significantly reduce the time it takes to switch attachments, which can dramatically impact productivity throughout the day.

Quick-Coupler-Ready Design

Most -7 Series models offer a new hydraulic quick-coupler-ready design with quick-coupler hydraulic piping installed to the end of the arm. You won't need additional accessories to install a compatible quick coupler to your machine.

Stands Up to All You Put It Through.

Downtime isn't an option. You can depend on the -7 Series mini excavators to be ready when you are. These machines feature a durable design and solid construction that's engineered for the most punishing conditions and challenging tasks.



Strong Work Group

The durable DEVELON work group is built tough, ensuring a long, productive life for your machine and requiring less routine maintenance.

Newly Designed Counterweight

The larger, integrated counterweight helps improve lifting capacity and machine robustness. On long-arm machines, additional weight is included for optimal machine balance.



Automatic Glow Plugs

Automatic glow plugs warm the combustion chamber for faster starting in cold weather. They also ease wear and tear on your engine starter.

Steel Track Option

Choose the steel track undercarriage option for demolition work or other applications where working around sharp objects could damage the standard rubber tracks. Select -7 Series mini excavators (sizes DX50Z-7 and larger) offer steel-track and rubber-shoe conversion with minimal modification required.



Tough Hoses and Smart Routing

DEVELON incorporates steel hydraulic lines mounted securely on the top part of the boom structure, protected from wear, tear and damage on the job. Rubber hoses are routed through the lower portion of the boom swing casting to stand up to rugged working conditions.

Onboard Diagnostics

Self-diagnostics allow you to monitor critical systems in real time and access historical machine alerts right from the LCD monitor in the cab. You can quickly troubleshoot problems and prevent downtime.

All Service Points Within Easy Reach.

Keeping your -7 Series mini excavators running at peak performance is simple and efficient. With onboard diagnostic systems, convenient component access and common DEVELON parts, it's easy to make regular maintenance a regular habit.



Simple Component Access

To ensure that daily maintenance happens daily, DEVELON -7 Series mini excavators offer easy access to filters and oil service points.

- Common DEVELON equipment design features easy serviceability access.
- The swing-open tailgate and side-access hood offer effortless serviceability access to the engine and pump package, valve bank, cooling system and plumbing.

- Filters, fluids, air cleaner, battery and other maintenance points are easy to get to.
- Cooling cores can be separated for quick radiator cleaning.



Local Service and Parts

Your local DEVELON dealer offers exceptional service from factory-trained technicians. You can also pick up genuine DEVELON parts from your dealer, who is supported by two regional warehouses located in North America.

MY DEVELON Fleet Management

This system gives your dealer a direct communications link with your mini excavator. During operation, it monitors all critical data and provides a complete history of operation and a real-time log of machine failures. Armed with information like this, your dealer service personnel can fix issues fast — and you can get back to work.

Convenience Features

Color-coded and labeled wiring and hydraulic hoses enable plug-and-play installation of electrical accessories — including the rotating beacon — and make troubleshooting quicker and easier.



Convenient battery disconnect completely disables your battery connection, protecting the battery life during extended storage periods. It can also provide an added measure of security on the job site after working hours.



Centralized boom swing cylinder greasing makes critical daily maintenance simple.

FULL COVERAGE



Superior Standard Warranty

Your new DEVELON machine includes full coverage for 36 months or 5,000 hours, whichever comes first, with parts and service support from your local authorized DEVELON dealer.

Protection Plus® Extended Warranty

Our DEVELON Protection Plus extended warranty coverage offers up to 420 different plan options, allowing you to customize coverage to meet your needs. Purchase up to 72 total months or up to 10,000 total hours of warranty protection covering the full machine, powertrain or powertrain plus hydraulics.

> Thumb-Ready Arm > Selectable
 Control Pattern > Quick-Coupler-Ready
 Design > 1-Way/2-Way (Without Pedal) >
 Travel Alarm > MY DEVELON Fleet
 Management



Premium Features Come Standard on DEVELON -7 Series Mini Excavators.

For you to compete and succeed, your equipment needs to maximize job site productivity and the bottom line. DEVELON machines do both. To ensure a high return on investment, we add more premium features as standard equipment on every model.

These features are often options that come with an additional cost from other manufacturers. By including them as standard, DEVELON gives you a competitive edge – helping operators work more efficiently and improving safety during the longest workdays.

Thumb-Ready Arm

Durable thumb mounts are integrated into the excavator arm. There's no welding required to add a thumb. *Excluding DX100W-7.*

Selectable Control Pattern

Operators can choose the pattern they prefer: ISO or BHL.

Quick-Coupler-Ready Design

Quick-coupler hydraulic piping is installed to the end of the arm. No need for additional accessories to install a compatible quick coupler to the machine. This reduces the time it takes to switch attachments.

1-Way/2-Way (Without Pedal)

For improved control, hydraulic flow is activated through the joystick, not the pedal. One-way hydraulic flow only requires hydraulic power in one direction, such as hydraulic breakers and plate compactors. Two-way hydraulic flow is ideal for mini excavator attachments that need bidirectional flow, such as hydraulic thumbs (clamps), rippers and grapples.

Travel Alarm

An alarm alerts others on the job site when the excavator is at work, for added awareness and safety. (Coming soon to 6-ton models.)

MY DEVELON Fleet Management

Powerful telematics system makes it easy to remotely monitor and maintain your machine. It keeps track of the health, location and productivity of the equipment from a user-friendly app and website.

Features vary by model. See model specifications for details at na.develon-ce.com/miniexcavator.

A Four-Wheeled Force to Reckon With.

The New DX100W-7 Mini Wheel Excavator.

Our DX100W-7 mini wheel excavator is the perfect combination of size and agility. This mini wheeled machine features one of the largest cabs on the market for its class size and travel speeds of up to 24 mph, providing ideal acceleration to, from and around work areas.



All-Around Versatility

The 360-degree swing capability puts you in perfect position, especially in the tightest and toughest roadway and urban work.

Optimal Control

Exclusive parallel dozer blade and independent rear outriggers (stabilizers) help you work efficiently and safely. Multiple steering, power and work modes let you customize your performance to whatever application lies in front of you:

- Steering modes: 2-wheel, 4-wheel crab and 4-wheel round
- Work modes: 1-way, 2-way, digging and lifting
- Power modes: Power+, power, standard and economy

Easy Maintenance

All filters — including the engine oil filter, fuel pre-filter, fuel filter and pilot filter — are easily accessible from ground level.

Enhanced Productivity

Reinforced articulated boom features an additional pivot point for enhanced working range, lifting capacity and digging force. The reactionless valve in the swing device makes the swing operation much smoother. A quick couplers significantly reduces the time it takes to switch attachments, dramatically improving your productivity.

DX100W-7 Standard Premium Features:

- Additional LED Working Lamp
- Heated air-suspension seat
- 1-way & 2-way piping
- AVM (Around View Monitor) 270 + Ultrasonic Sensor
- Three steering modes (2-wheel, 4-wheel crab and 4-wheel round mode)
- Double tires
- Hydrostatic Transmission (HST)
- MY DEVELON fleet management
- Pattern Valve change
- Overload Warning device

Monitor Your Equipment From Anywhere.

MY DEVELON fleet management is a powerful equipment diagnostic tool that monitors the health, location and productivity of your DEVELON equipment from a user-friendly mobile app and website.



Scan the Code
Learn more about how MY DEVELON fleet management can help you take care of your valuable DEVELON equipment.

With MY DEVELON Fleet Management, You Can:

- Help prevent theft with geofencing feature (GPS location tracking).
- See when maintenance is due.
- Customize alerts to your schedule.
- Track oil pressure, operating temperature and more.
- Use data to train your team for maximum productivity.

The data is uploaded automatically to the MY DEVELON fleet management online system using dual-mode communications (cellular) for maximum coverage. You can check on machine status from anywhere using the MY DEVELON fleet management website and mobile application. Your dealer can also see your equipment status to notify you when it's time for service.



Let us do the work for you to help protect your equipment investment. DEVELON Smart X-Care™ service gives you peace of mind knowing our experienced team is tracking your machine telematics and providing recommendations. **Talk to your dealer to learn more.**

Attachments

Versatile DEVELON -7 Series mini excavators can use a variety of attachments so you can do more than dig – expanding your capabilities on every job. DEVELON attachments are built to DEVELON machine specifications for superior reliability and performance.



Heavy-Duty Bucket

Meet your digging demands with a DEVELON heavy-duty bucket. Features high-quality, abrasion-resistant material for enhanced durability. Standard with an extra set of pins to pair with our hydraulic quick coupler. Optimized for angle filling and dumping.



Ditch-Cleaning Bucket

Match your grading and backfill demands with ditch cleaning buckets. Features high-quality, abrasion-resistant material for enhanced durability. Utilizes a flat bottom to level ground. Optimized for angle filling and dumping.



Hydraulic Quick Coupler

Quick couplers increase your machine's versatility and improve your productivity when your work includes switching attachments. Built with extra-high-strength (EHS) and abrasion-resistant (AR) steels for maximum durability. Electrical circuit design features a two-stage release for increased safety. Operator control panel requires no modifications to cab interior. Hook up to pin-on attachments with ease from inside the cab.



Thumb

DEVELON's mini excavators come with a standard thumb mount built into their arms, eliminating the need for welding to attach a thumb. Installation on the arm is quick and easy. Serrated edge holds material secure to bucket for superior loading and material handling. High quality steel provides strength, durability and abrasion resistance. Choose from two profiled narrow, two straight or four tine options to perfectly mesh with our digging buckets.



Manual Quick-Hitch

Easily interfaced and connected with a wide variety of attachments with one simple, single-pin retention system. Built with high-strength steel for maximum durability. Low profile keeps breakout force loss to a minimum. Choose between a wide range of Heavy-Duty and Ditch Cleaning Bucket sizes in the Manual Quick Hitch style.

Certain specification(s) are based on engineering calculations and are not actual measurements. Specification(s) are provided for comparison purposes only and are subject to change without notice. Specification(s) for your individual DEVELON equipment will vary based on normal variations in design, manufacturing, operating conditions, and other factors. Pictures of DEVELON units may show other than standard equipment.

Powered by Innovation



Scan to
learn more.

na.develon-ce.com/miniexcavator

Mini Excavator Brochure
Printed in the U.S.A.
24914_006_D062124

DEVELON

A brand of HD Hyundai Infracore.

©2024 HD Hyundai Infracore. All rights reserved.