

# DEVELON

## Wheel Loader

# DL420-7



### Engine

Make	Scania
Model	DC13
Number of cylinders	6
Rated power, gross (hp per SAE J1995)	344.6 hp (257.0 kW) @ 1800 rpm
Rated power, net (hp per SAE J1349)	344.6 hp (257.0 kW) @ 1800 rpm
Max. torque, gross (SAE J1995)	1179.0 lbf.ft. (163.0 kgf) @ 1300 rpm
Displacement	775.0 in. <sup>3</sup> (12.7 L)
Bore and stroke	5.1" x 6.3" (130 x 160 mm)
Starter	24 V, 8.6 hp (6.0 kW)
Battery	2 x 12 V, 200 AH, 1300 CCA
Alternator	28 V, 100 A
Air cleaner	Double elements

### Hydraulics

Main pumps	Variable displacement axial piston pump 70.3 gpm (266.0 L/min.)
System pressure (work)	4641.0 psi (320.0 bar)
System pressure (steer)	3046.0 psi (210.0 bar)
Boom speed – up	6.0 sec
Boom speed – down	2.7 sec
Bucket speed – crowd	2.3 sec
Bucket speed – dump	1.6 sec

### Travel Speeds

Travel speed – forward (4-speed)	4.5 / 7.6 / 11.6 / 22.6 mph (7.2 / 12.2 / 18.6 / 36.4 km/h)
Travel speed – forward (5-speed) (US50 and US51 packages only)	4.5 / 7.8 / 12.1 / 17.4 / 24.9 mph (7.2 / 12.5 / 19.5 / 28 / 40.0 km/h)
Travel speed – reverse (4-speed)	4.5 / 7.6 / 16.5 mph (7.2 / 12.2 / 26.5 km/h)
Travel speed – reverse (5-speed) (US50 and US51 packages only)	4.5 / 7.8 / 17.4 mph (7.2 / 12.5 / 28.0 km/h)
Max. grade	51% (27°)

### Environment

Sound level (ISO 6395)	106 dB(A)
Cabin sound level (ISO 6396)	70 dB(A)

### Refill Capacities

Fuel tank	84.0 gal. (318.0 L)
DEF tank	15.8 gal. (60.0 L)
Cooling system (radiator capacity)	14.5 gal. (55.0 L)
Engine oil	11.9 gal. (45.0 L)
Transmission	14.5 gal. (55.0 L)
Front axle	11.1 gal. (42.0 L)
Rear axles	11.1 gal. (42.0 L)
Hydraulic system	58.9 gal. (223.0 L)

All capacities are approximate values. Always refer to the machine's OM for exact refill levels. Check the dipstick, level eye, level plug, etc., to achieve the correct level.

### Hydraulic Cylinders

Steering (2) bore x rod diameter x stroke	3.9" x 1.9" x 17.4" (100 mm x 50 mm x 442 mm)
Lift arm (2) bore x rod diameter x stroke	5.9" x 3.7" x 31.3" (150 mm x 95 mm x 795 mm)
Bucket (1) bore x rod diameter x stroke	6.3" x 3.9" x 24.2" (160 mm x 100 mm x 615 mm)

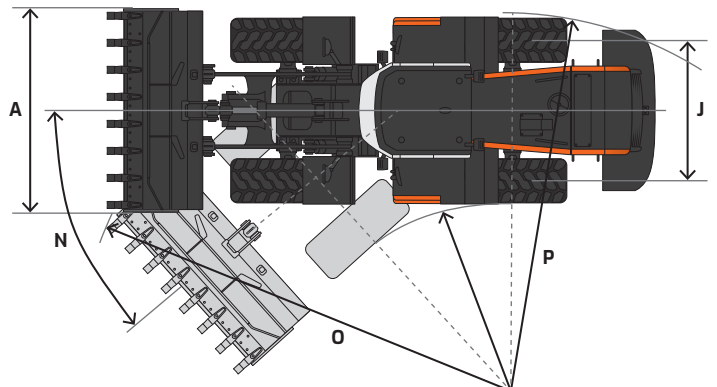
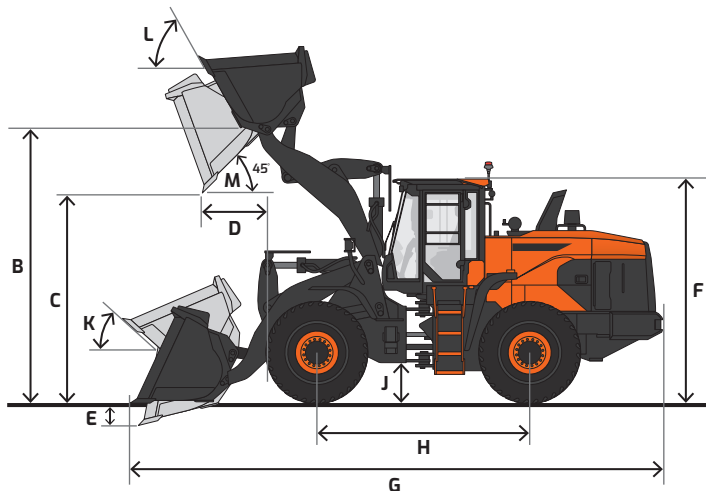
The piston rods and cylinder bodies are made of high-strength steel. A shock-absorbing mechanism is fitted in at the base and rod end of the lift and bucket cylinders and the rod end of the steering cylinders to ensure shock-free operation and extended piston life.

# Dimensions

		Standard Arm	High-Lift
Bucket capacity, heaped ISO/SAE		5.5 yd <sup>3</sup> (4.2 m <sup>3</sup> )	
Bucket width	A	10' 8.7" (3270 mm)	
Max. hinge pin height	B	13' 11.9" (4265 mm)	15' 6.8" (4745 mm)
Dump height (45°) – fully raised	C	10' 0.3" (3055 mm)	11' 7.3" (3537 mm)
Dump reach (45°) – fully raised	D	4' 1.4" (1255 mm)	4' 3.5" (1309 mm)
Digging depth	E	3.9" (100 mm)	4.5" (115 mm)
Overall height, ROPS cabin	F	12' 0.1" (3660 mm)	
Overall length	G	29' 11.6" (9135 mm)	30' 6.7" (9314 mm)
Wheel base	H	11' 6.8" (3525 mm)	
Tread width	I	7' 6.5" (2300 mm)	
Ground clearance	J	1' 7.5" (495 mm)	
Max. tilt angle on ground*		44°	45°
Max. tilt angle at carry position	K	48°	51°
Max. tilt angle at fully raised	L	62°	64°
Max. dump angle at fully raised	M	45°	
Max. steering angle	N	40°	
External turning radius, bucket edge	O	23' 0.0" (7010 mm)	23' 1.8" (7055 mm)
External turning radius, outside tire	P	20' 11.4" (6385 mm)	
Tire size		26.5R25 – L3	
Operating weight		53414 lb. (24228 kg)	54017 lb. (24503 kg)
Static tipping load (straight)		42718 lb. (19377 kg)	34099 lb. (15467 kg)
Static tipping load (at full turn)		37686 lb. (17094 kg)	30080 lb. (13644 kg)
Breakout force		41365 lbf. (184.0 kN)	39791 lbf. (177.0 kN)

\*Not shown on diagram

Front Lift Arm Configuration  
 Standard: US10, US11  
 High-Lift: US20, US21



# Standard & Optional Equipment

| Standard Base Package, US10

■ Standard • Optional

## Engine

Emissions (EPA), T4f	■
High-pressure common-rail (HPCR)	■
Turbo, variable geometry (VGT)	■
Cooled exhaust gas recirculation (CEGR)	■
Diesel oxidation catalyst (DOC)	■
Selective catalytic reduction (SCR)	■
Diesel exhaust fluid (DEF)	■
Fuel filter with water separator	■
Coolant recovery tank	■
Dual element dry-type air filter with evacuator	■
Pre-cleaner	■
Electronic engine control (ECU)	■
Auto idle (working to standby)	■
Auto shutdown (time adjustable)	■
Overheat & low oil pressure engine protection	■
Cooling fan – radiator, variable speed	■
Cooling fan – radiator, automatic reversible	■
Remote drain port – engine oil	■
Block heater (110 V)	■

## Hydraulic

Variable displacement axial piston pump	■
Closed-center system	■
Main control valves, pilot	■
Remote test ports	■
Remote drain port, hydraulic oil	■
Auxiliary hydraulics (3rd valve)	■
Automatic boom/lift kick-out, adjustable (in cab)	■
Automatic return-to-dig position, adjustable	■
Boom float	■
Ride control	■

## Electrical

System voltage – 24 V	■
Alternator – 28 V, 100 A	■
2 x 12 V batteries, 200 AH reserve capacity, 1300 CCA	■
Blade-type fuse panel	■
Main circuit breaker	■
Lights, work (LED): front (2), rear (2)	■
Lights, work (LED): front (4), rear (4)	●
Lights, work (LED): front (6), rear (6)	●
Lights, headlights (halogen): hi/lo beams (2)	■
Lights, stop, tail & direction indicators	■
Horn	■
Rotating beacon	■
Hour meter	■
Engine restart prevention system	■
Rearview camera	■
Laptop service port	■
Self-diagnostics system	■

## Cabin

Steel, all-weather & sound-suppressed	■
ROPS (ISO 3471)	■
FOPS (ISO 3449)	■
Front window with wiper/washer	■
Rear window with wiper	■
Tinted safety glass	■
Visor, retractable	■
Adjustable sliding side door window	■
Defrost, front window	■
Lockable doors	■
Seat	■
- Air-suspension	■
- 3" (76 mm) seat belt	■
- Adjustable height & recline	■
- Adjustable fore/aft	■
- Adjustable armrests	■
Control stands	■
- Height adjustable	■
- Fore/aft adjustable	■
Storage for operator's manuals	■
Mirror, interior rearview (1)	■
Mirrors, exterior (2), heated	■
Mirrors, exterior (2), heated (electronic adjustable)	●
Fully automatic HVAC with ambient temperature sensor	■
Smart Touch display	■
- 8" touch-enabled	■
- Adjustable height & angle	■
Transparent Bucket	■
- Multi-camera system & controller	■
- In-cab display	■
AM/FM stereo with Bluetooth®	■
Speakers (2)	■
Antenna, roof-mounted	■
Emergency breakout tool	■
Power socket, 12 V	■
Power socket, USB	■
Cup holder	■
Interior light	■
Coat hanger	■

## Controls

Adjustable steering column	■
- Tilting	■
- Telescoping	■
Emergency secondary steering	●
Throttle pedal (accelerator)	■
Brake pedal, right	■
Brake pedal, left	●
Brake pedal transmission kick-out	■
Gear selector (FNR)	■
Joystick control	■
Fingertip control (3-lever)	●
Switches, console-mounted	■
- Starter (button)	■
- Parking brake	■
- Pilot cutoff	■
- Transmission cutoff	■
- Work light	■
- Reversible cooling fan	■
Emergency stop switch	■
Power mode (P, S, E)	■
Transmission mode (manual / auto 1-4 / auto 2-4)	■
Wiper control panel	■
Audio control panel	■

## Display Monitor & Warnings

Buzzer	■
- Engine oil pressure	■
- Coolant temperature	■
- Transmission overheat	■
Gauges	■
- Fuel level	■
- DEF level	■
- Engine coolant temperature	■
- Transmission oil temperature	■
- Engine rpm	■
- Speedometer	■
- Transmission gear indicator	■
- Battery voltage	■
- ECO	■
- Smart guidance system	■
- Digital clock	■
- Trip meter	■
- Hour meter	■
- Total operation time	■
- Fuel consumption	■
Warning & indicator lights	■
- Seat belt	■
- Error code	■
- SCR warning	■
- Check engine	■
- Engine oil pressure	■
- Engine pre-heat engaged	■
- Radiator coolant level & temperature	■
- Air filter	■
- Fuel level	■
- DEF level – low	■
- Water in fuel	■
- Battery charge	■
- Direction signal	■
- Lights (high, main, work, beacon)	■
- Emergency steering	■
- Hydraulic oil temperature	■
- Hydraulic charge pressure warning	■
- Hydraulic pilot filter	■
- Hydraulic return filter	■
- Transmission mode	■
- Transmission warning	■
- Transmission lock-up	■
- Transmission oil temp	■
- Transmission gear indicator	■
- Brake fluid pressure warning	■
- Reverse fan indicator	■
- Mirror heat indicator	■
- Parking brake indicator	■
Back-up alarm	■
Situation Awareness Technology (SAT)	■
Scale system, integrated smart scale	●
Around view monitor (AVM)	●

## Frame & Driveline

Z-bar lift arm	■
Z-bar lift arm, high-lift	●
Steering cylinders, double-acting (2)	■
Transmission – 4F/3R speed	■
- Full automatic – power shift	■
- Torque converter	■
Transmission – 5F/3R speed	●
- Automatic – power shift	●
- Torque converter lock-up clutch	●
Differentials	■
- Limited slip front/rear	■
Differentials	●
- Hydraulic locking front	●
- Open rear	■
Hydraulic power steering	■
Outboard planetary axles	■
Fixed front axle	■
Oscillating rear axle	■
Spring-applied hydraulic release brake	■
Sealed, self-adjusting brakes	■
Tires, 20 5R25 L3 radial	■
Outboard brakes	■

## Other

Centralized lubrication	■
Air-compressor	●
Handrails, entrance & service steps	■
Handrails, roof-mounted	■
Skid-resistant entrance steps	■
Skid-resistant service platforms	■
Drawbar & pin	■
Wheel chocks	■
Rear fender, full	●
Additional counterweight*	●
Manuals	■
- Operation & Maintenance	■
- AEM Safety Manual	■
MY DEVELON (telematics)	■
Vandalism protection	■
- Lockable panels	■
- Lockable fluid fill points	■
- Anti-theft protection (password)	■

\*Standard on high-lift models

Certain specification(s) are based on engineering calculations and are not actual measurements. Specification(s) are provided for comparison purposes only and are subject to change without notice. Specification(s) for your individual DEVELON equipment will vary based on normal variations in design, manufacturing, operating conditions, and other factors. Pictures of DEVELON units may show other than standard equipment.

# Powered by Innovation

# DEVELON

A brand of HD Hyundai Infracore.

[na.develon-ce.com/dl420-7](http://na.develon-ce.com/dl420-7)

DL420-7 Wheel Loader Spec Sheet  
Printed in the U.S.A.  
25903\_006\_D092225

©2025 HD Hyundai Infracore. All rights reserved.