

DEVELON

Wheel Loader

DL200-7



Engine

Make	Perkins
Model	1204F
Number of cylinders	4
Rated power, gross (hp per SAE J1995)	142.1 hp (106.0 kW) @ 2200 rpm
Rated power, net (hp per SAE J1349)	142.1 hp (106.0 kW) @ 2200 rpm
Max. torque, gross (SAE J1995)	412.4 lbf.-ft (57.01 kgf) @ 1400 rpm
Displacement	269.0 in. ³ (4.4 L)
Bore and stroke	4.1" x 5.0" (105 mm x 127 mm)
Starter	24 V, 7.4 hp (5.5 kW)
Battery	2 x 12 V, 100 AH, 900 CCA
Alternator	24 V, 85 A
Air cleaner	Double elements

Hydraulics

Main pumps	Variable displacement axial piston pump 40.9 gpm (155.0 L/min.)
System pressure (work)	3843.0 psi (265.0 bar)
System pressure (steer)	2830.0 psi (195.0 bar)
Boom speed – up	5.6 sec
Boom speed – down	2.8 sec
Bucket speed – crowd	1.7 sec
Bucket speed – dump	1.4 sec

Travel Speeds

Travel speed – forward (4-speed)	1.2–8.1 / 8.1 / 12.4 / 23.6 mph (2.0–13.0 / 13.0 / 20.0 / 38.0 km/h)
Travel speed – reverse (3-speed)	1.2–8.1 / 8.1 / 12.4 mph (2.0–13.0 / 13.0 / 20.0 km/h)
Max. grade	58% (30°)

Environment

Sound level (ISO 6395)	102 dB(A)
Cabin sound level (ISO 6396)	68 dB(A)

Refill Capacities

Fuel tank	62.1 gal. (235.0 L)
DEF tank	5.0 gal. (19.0 L)
Cooling system (radiator capacity)	8.6 gal. (32.6 L)
Engine oil	3.1 gal. (11.8 L)
Transmission	31.7 gal. (120.0 L)
Front axle	4.0 gal. (15.0 L)
Rear axles	4.5 gal. (17.0 L)
Hydraulic system	31.7 gal. (120 L)

All capacities are approximate values. Always refer to the machine's OM for exact refill levels. Check the dipstick, level eye, level plug, etc., to achieve the correct level.

Hydraulic Cylinders

Steering (2) bore x rod diameter x stroke	2.8" x 1.4" x 14.4" (70 mm x 35 mm x 366 mm)
Lift arm (2) bore x rod diameter x stroke	4.5" x 3.0" x 26.6" (115 mm x 75 mm x 676 mm)
Bucket (1) bore x rod diameter x stroke	4.7" x 3.0" x 20.0" (120 mm x 75 mm x 509 mm)

The piston rods and cylinder bodies are made of high-strength steel. A shock-absorbing mechanism is fitted in at the base and rod end of the lift and bucket cylinders and the rod end of the steering cylinders to ensure shock-free operation and extended piston life.

Dimensions

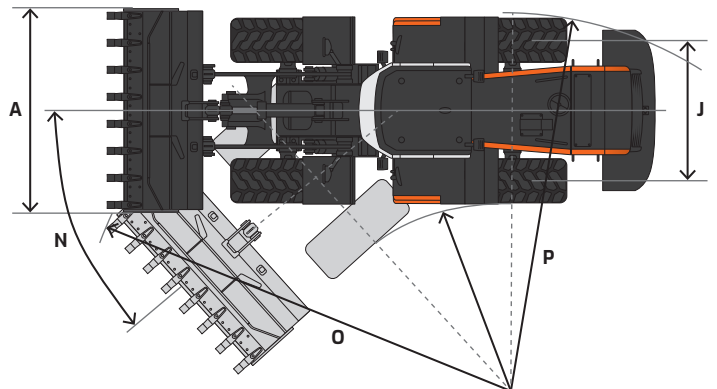
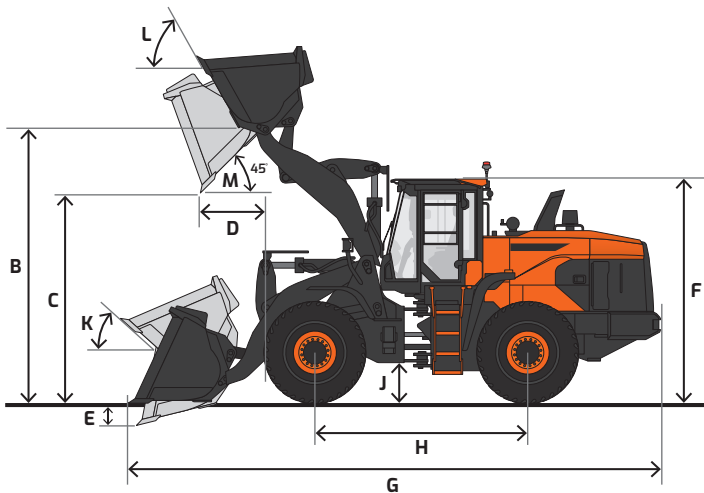
		Standard Arm	High-Lift
Bucket capacity, heaped ISO/SAE		2.6 yd ³ (2.0 m ³)	
Bucket width	A	8' 4.4" (2550 mm)	
Max. hinge pin height	B	12' 3.0" (3735 mm)	13' 10.0" (4210 mm)
Dump height (45°) – fully raised	C	9' 0.0" (2765 mm)	10' 8.0" (3245 mm)
Dump reach (45°) – fully raised	D	3' 3.6" (1005 mm)	3' 3.2" (995 mm)
Digging depth	E	2.3" (58 mm)	7.9" (200 mm)
Overall height, ROPS cabin	F	10' 10.3" (3310 mm)	
Overall length	G	23' 6.5" (7175 mm)	25' 0.0" (7615 mm)
Wheel base	H	9' 9.3" (2980 mm)	
Tread width	I	6' 3.9" (1930 mm)	
Ground clearance	J	1' 5.1" (434 mm)	
Max. tilt angle on ground*		43°	
Max. tilt angle at carry position	K	49°	51°
Max. tilt angle at fully raised	L	60°	63°
Max. dump angle at fully raised	M	46°	45°
Max. steering angle	N	40°	
External turning radius, bucket edge	O	19' 1.7" (5835 mm)	19' 9.6" (6035 mm)
External turning radius, outside tire	P	17' 7.6" (5365 mm)	
Tire size		20.5R25 L3	
Operating weight		26559 lb. (12047 kg)	27189 lb. (12233 kg)
Static tipping load (straight)		22315 lb. (10122 kg)	18373 lb. (8334 kg)
Static tipping load (at full turn)		19705 lb. (8938 kg)	16224 lb. (7359 kg)
Breakout force		21806 lbf. (97.0 kN)	22031 lbf. (98.0 kN)

*Not shown on diagram

Front Lift Arm Configuration

Standard: US10

High-Lift: US20



Standard & Optional Equipment

Standard Base Package, US10

■ Standard ● Optional

Engine

Emissions (EPA), T4f	■
High-pressure common-rail (HPCR)	■
Cooled exhaust gas recirculation (CEGR)	■
Diesel oxidation catalyst (DOC)	■
Selective catalytic reduction (SCR)	■
Diesel exhaust fluid (DEF)	■
Diesel particulate filter (DPF)	■
Fuel filter with water separator	■
Coolant recovery tank	■
Dual element dry-type air filter with evacuator	■
Pre-cleaner	■
Electronic engine control (ECU)	■
Auto idle (working to standby)	■
Auto shutdown (time adjustable)	■
Overheat & low oil pressure engine protection	■
Cooling fan – radiator, variable speed	■
Cooling fan – radiator, automatic reversible	■
Remote drain port – engine oil	■
Block heater (110 V)	■

Hydraulic

Variable displacement axial piston pump	■
Closed-center system	■
Main control valves, pilot	■
Remote test ports	■
Remote drain port, hydraulic oil	■
Auxiliary hydraulics (3rd valve)	■
Automatic boom/lift kick-out, adjustable (in cab)	■
Automatic return-to-dig position, adjustable	■
Boom float	■
Ride control	●

Electrical

System voltage – 24 V	■
Alternator – 24 V, 80 A	■
2 x 12 V batteries, 100 AH reserve capacity, 900 CCA	■
Blade-type fuse panel	■
Main circuit breaker	■
Lights, work (LED): front (2), rear (2)	■
Lights, work (LED): front (4), rear (4)	●
Lights, work (LED): front (6), rear (6)	●
Lights, headlights: hi/lo beams (2)	■
Lights, stop, tail & direction indicators	■
Horn	■
Rotating beacon	■
Hour meter	■
Engine restart prevention system	■
Rearview camera	■
Laptop service port	■
Self-diagnostics system	■

Cabin

Steel, all-weather & sound-suppressed	■
ROPS (ISO 3471)	■
FOPS (ISO 3449, level II)	■
Front window with wiper/washer	■
Rear window with wiper	■
Tinted safety glass	■
Visor, retractable	■
Adjustable sliding side door window	■
Defrost, front window	■
Lockable doors	■
Seat	■
- Air-suspension	■
- 3" (76 mm) seat belt	■
- Adjustable height & recline	■
- Adjustable fore/aft	■
- Adjustable armrests	■
Control stands	■
- Height adjustable	■
- Fore/aft adjustable	■
Storage for operator's manuals	■
Mirror, interior rearview (1)	■
Mirrors, exterior (2), heated	■
Mirrors, exterior (2), heated (electronic adjustable)	●
Fully automatic HVAC with ambient temperature sensor	■
Smart Touch display	■
- 8" touch-enabled	■
- Adjustable height & angle	■
Transparent Bucket	■
- Multi-camera system & controller	■
- In-cab display	■
AM/FM stereo with hands-free Bluetooth®	■
Speakers (2)	■
Antenna, roof-mounted	■
Emergency breakout tool	■
Power socket, 12 V	■
Power socket, USB	■
Cup holder	■
Interior light	■
Coat hanger	■

Controls

Adjustable steering column	■
- Tilting	■
- Telescoping	■
Emergency secondary steering	●
Throttle pedal (accelerator)	■
Brake pedal, right	■
Brake pedal, left	●
Intelligent clutch cutoff	■
Gear selector (FNR)	■
Joystick control	■
Switches, console-mounted	■
- Starter (button)	■
- Parking brake	■
- Pilot cutoff	■
- Transmission cutoff	■
- Work light	■
- Reversible cooling fan	■
Speed management	■
Traction control management	■
Emergency stop switch	■
Power mode (P, S, E)	■
Transmission mode	■
Wiper control panel	■
Audio control panel	■

Display Monitor & Warnings

Buzzer	■
- Engine oil pressure	■
- Coolant temperature	■
- Transmission overheat	■
Gauges	■
- Fuel level	■
- DEF level	■
- Engine coolant temperature	■
- Transmission oil temperature	■
- Engine rpm	■
- Speedometer	■
- Transmission gear indicator	■
- Battery voltage	■
- ECO	■
- Smart guidance system	■
- Digital clock	■
- Trip meter	■
- Hour meter	■
- Total operation time	■
- Fuel consumption	■
Warning & indicator lights	■
- Seat belt	■
- Error code	■
- SCR warning	■
- Check engine	■
- Engine oil pressure	■
- Engine pre-heat engaged	■
- Radiator coolant level & temperature	■
- Air filter	■
- Fuel level	■
- DEF level – low	■
- Water in fuel	■
- Battery charge	■
- Direction signal	■
- Lights (high, main, work, beacon)	■
- Emergency steering	■
- Hydraulic oil temperature	■
- Hydraulic charge pressure warning	■
- Hydraulic pilot filter	■
- Hydraulic return filter	■
- Transmission mode	■
- Transmission warning	■
- Transmission lock-up	■
- Transmission oil temp	■
- Transmission gear indicator	■
- Brake fluid pressure warning	■
- Reverse fan indicator	■
- Mirror heat indicator	■
- Parking brake indicator	■
Back-up alarm	■
Scale system, integrated smart scale	●
Around view monitor (AVM)	●

Frame & Driveline

Z-bar lift arm	■
Z-bar lift arm, high-lift	●
Steering cylinders, double-acting (2)	■
Transmission – hydrostat	■
- Dual motor	■
Differentials	■
- Limited slip front/rear	■
Hydraulic power steering	■
Outboard planetary axles	■
Fixed front axle	■
Oscillating rear axle	■
Spring-applied hydraulic release brake	■
Sealed, self-adjusting brakes	■
Tires, 20.5R25 L3 radial standard	■
Inboard brakes	■
Dynamic braking	■

Other

Centralized lubrication	■
Air-compressor	●
Handrails, entrance & service steps	■
Handrails, roof-mounted	●
Roof cover	■
Skid-resistant entrance steps	■
Skid-resistant service platforms	■
Drawbar & pin	■
Wheel chocks	■
Rear fender, full	●
Additional counterweight*	■
Manuals	■
- Operation & Maintenance	■
- AEM Safety Manual	■
MY DEVELON (telematics)	■
Vandalism protection	■
- Lockable panels	■
- Lockable fluid fill points	■
- Anti-theft protection (password)	■

*Standard on high-lift models

Certain specification(s) are based on engineering calculations and are not actual measurements. Specification(s) are provided for comparison purposes only and are subject to change without notice. Specification(s) for your individual DEVELON equipment will vary based on normal variations in design, manufacturing, operating conditions, and other factors. Pictures of DEVELON units may show other than standard equipment.

Powered by Innovation

DEVELON

A brand of HD Hyundai Infracore.

na.develon-ce.com/dl200-7

DL200-7 Wheel Loader Spec Sheet
Printed in the U.S.A.
23906_006_D100224

©2024 HD Hyundai Infracore. All rights reserved.