

DEVELON

Compact Track Loader

DTL35



Engine

Make	DEVELON
Model	D34
Emissions certification	EPA Tier 4 final
Number of cylinders	4
Rated power, gross (hp per SAE J1995)	115.3 hp (86 kW) @ 2400 rpm
Rated power, net (hp per SAE J1349)	102.6 hp (76.5 kW) @ 2400 rpm
Maximum torque, gross (SAE J1995)	339.2 lbf. ft. (46.9 kfg-m) @ 1400 rpm
Displacement	208 in. ³ (3.4 L)
Bore and stroke	3.86 in. x 4.45 in. (98 mm x 113 mm)
Starter	12 V, 4.5 hp (3.3 kW)
Battery	12 V, 150 AH
Asperation	Turbocharged
Alternator	12 V, 140 amp
Air cleaner	Powercore
Aftertreatment	DOC, SCR (no DPF)

Hydraulics

Main pump (STD)	22.2 gpm (84 L/min.) @ 2400 rpm
Main pump (high) (US30, US31)	39.9 gpm (151.2 L/min.) @ 2400 rpm
Pressure (STD)	3335.9 psi (23000 kPa)
Pressure (high) (US30, US31)	4061.1 psi (28000 kPa)

Loader Performance

Operating weight	12785 lb. (5799 kg)
Rated operating capacity (35% of tipping load)	3806 lb. (1727 kg)
Tipping load	10875.4 lb. (4933 kg)
Bucket breakout force	6649.1 lbf. (3016 kgf)
Lift arm breakout force	6761.6 lbf. (3067 kgf)
Dump height	96.7 in. (2457 mm)
Dump reach	46.3 in. (1175 mm)
Lift arm path	Vertical

Undercarriage

Lower rollers (each track)	5, triple flange
Front idler	Double (US20, US30), Triple (US21, US31)
Rear idler	Single (US20, US30), Triple (US21, US31)
Track width	15.7 in. (400 mm), 17.7 in. (450 mm)
Ground pressure	15-in. track – 5.7 psi (0.39 bar) 17-in. track – 5.1 psi (0.35 bar)

Drive System

Travel speed (low – high)	6.1 – 9.2 mph (9.8 – 14.8 km/h)
Max. traction force (drawbar pull)	10251.3 lbf. (45.6 kN)

Environment

Sound level (2000/14/EC)	101 dB(A)
Cabin sound level (ISO 6396)	75 dB(A)

Refill Capacities

Fuel tank	29.0 gal. (110 L)
DEF tank	4.0 gal. (15 L)
Cooling system (radiator capacity)	3.7 gal. (14 L)
Engine oil	3.9 gal. (14.6 L)
Hydraulic tank	10.6 gal. (40 L)
Hydraulic system	19.2 gal. (72.7 L)

Hydraulic Cylinders

Lift arm (2) bore x rod diameter x stroke	2.8 in. x 2.0 in. x 37.9 in. (70 mm x 50 mm x 962 mm)
Bucket (2) bore x rod diameter x stroke	3.0 in. x 1.6 in. x 12.8 in. (75 mm x 40 mm x 326 mm)
Quick-coupler (1) bore x rod diameter x stroke	1.8 in. x 1.2 in. x 7.5 in. (45 mm x 30 mm x 190 mm)

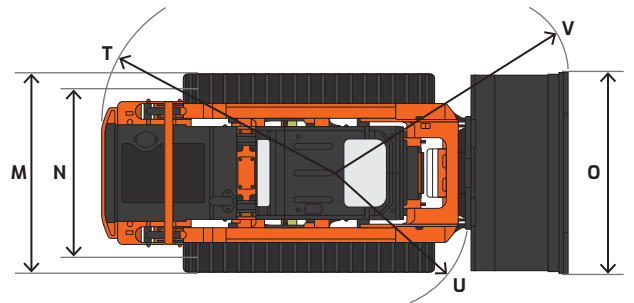
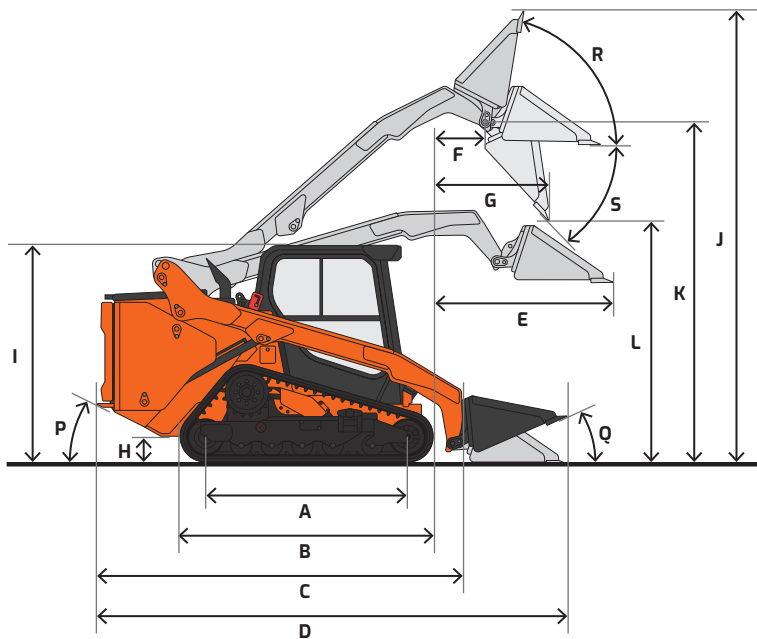
The piston rods and cylinder bodies are made of high-strength steel. A shock-absorbing mechanism is fitted in all cylinders to ensure shock-free operation and extended piston life.

NOTE: Where applicable, dimensions are in accordance with Society of Automotive Engineers (SAE) and ISO standards. Specifications and design are subject to change without notice. Pictures of DEVELON compact track loaders may show other than standard equipment. All dimensions are shown in inches. Respective metric dimensions are enclosed by parentheses. Rounding may impact specifications. DEVELON equipment is manufactured with a Quality Management System that is in compliance with ISO 9001:2008. All dimensions are given for DEVELON compact track loaders equipped with 15.7-inch (400mm) block rubber tracks.

Dimensions & Working Range

DTL35

Tumbler distance	A	70.0" (1767 mm)
Overall length of track	B	89.3" (2267 mm)
Length (without bucket)	C	132.8" (3372 mm)
Length (bucket on ground)	D	165.7" (4210 mm)
Max. reach (arms parallel to ground)	E	62.3" (1582 mm)
Bucket pin reach at max. lift	F	20.1" (510 mm)
Reach at max. lift and dump	G	46.3" (1175 mm)
Ground clearance	H	9.7" (247 mm)
Height to top of cab	I	84.0" (2133 mm)
Max. overall height	J	169.4" (4304 mm)
Bucket pin height at max. lift	K	129.1" (3280 mm)
Clearance at max. lift and dump	L	96.7" (2457 mm)
Vehicle width	400 mm shoe	76.8" (1951 mm)
	450 mm shoe	78.8" (2001 mm)
Track gauge	N	61.1" (1551 mm)
Bucket width (factory bucket)	O	80" (2032 mm)
Departure angle	P	31.6°
Rollback angle	Q	25°
Rack back angle at max. height	R	85.9°
Max. dump angle	S	40.8°
Turning radius from center, rear	T	75.7" (1922 mm)
Turning radius from center, coupler	U	62.3" (1583 mm)
Turning radius from center, bucket	V	99.9" (2537 mm)



Standard & Optional Equipment

■ Standard • Optional

Engine

Emissions, Tier 4 final (EPA)	■
4-cylinder	■
Common rail direct injection	■
Turbocharged	■
Powercore air cleaner	■
Diesel oxidation catalyst (DOC) aftertreatment	■
Selective catalyst reduction (SCR) aftertreatment	■

Hydraulic

Variable displacement axial piston main pump	■
Load-sensing control valve, electronic control	■
Gear fan motor, reversable	■
DC 12 V solenoid valve pack	■
Diaphragm type pilot accumulator	■
Element return filter	■
Mesh element suction filter	■
HST filter	■
Hydraulic quick-coupler	■

Electrical

Alternator – 12 V, 40 amp	■
12 V battery	■
Lights, work (LED): front (2), rear (2)	■
Rotating beacon	•
DSM port	■
14-pin connector	■
Plug heater (110 V)	■
Rearview camera	■
Around view camera with ultrasonic sensor	•
3.0 global telematics (cell only)	■
Positive terminal rear access	■
Master cutoff switch	■

Cabin

1/2" polycarbonate swing-out door with wiper/washer	■
Slide open side windows	■
Skylight	■
Seat	■
- Heated	■
- Adjustable	■
- Air suspension	■
- 2" (51 mm) high-visibility orange seat belt	■
Heat and air conditioner	■
8" touch screen LCD monitor	■
USB charger	■
Power socket, 12 V	■
Cup holder	■
Interior light	■
Rearview mirror	■
Emergency strip-off rear window	■

Controls

Joystick controls	
Left, travel control (ISO)	Right, arm & bucket control (ISO)
- Creep speed thumb button	- Aux 1 & 2 thumbwheel
- Horn thumb button	- Aux 3 thumb button
- Aux 5 thumb button	- Aux 4 thumb button
- Aux 6 thumb button	- Loader arm float trigger
- Aux 7, 2-speed trigger	
DeSOx manual regen switch	■
Engine throttle control dial	■
Accelerator/decelerator foot throttle	■
Switches, A-pillar-mounted	
Left	Right
- Starter (key)	- Engine throttle dial
- Aux 7, 2-speed	- Parking brake
- Aux 8	- Hydraulic cut-off
- Reversing fan	- Quick-coupler
- Hour meter	
Keypad buttons	
- Continuous flow	
- Self-leveling	
- Ride control	■
- Bucket shake	
- Front & rear lamp	
- Wiper & washer	
Rotating beacon switch	•

Display Monitor & Warnings

Touch screen display monitor	
- Fuel level	- Digital clock with date
- DEF level	- Home/menu button
- Engine coolant temperature	- Back/return button
- Hydraulic oil temperature	- Integrated radio & Bluetooth® audio
- Tachometer	
Mode selections	
- Auto idle	
- Rearview camera	
- Favorites	■
- Trip hours	
- Creep speed level	
- Auxiliary flow step	
- Pattern control (ISO, H)	
Back-up alarm	■

Travel Mechanism

2-speed axial piston HST pump	■
Radial piston travel motor	■
17-tooth sprocket	■
Mechanical pilot pressure parking brake	■

Undercarriage

Hydraulically adjusted recoil mechanism	■
Torsion suspension system	■
Triple flange lower rollers (each side)	5
Double flange front idler (US20, US30)	■
Triple flange front idler (US21, US31)	■
Single flange rear idler (US20, US30)	■
Triple flange rear idler (US21, US31)	■

Tracks

17.7" (450 mm) multi-bar pattern	■
17.7" (450 mm) block pattern	•
15.7" (400 mm) multi-bar pattern	•
15.7" (400 mm) block pattern	•

Smart Assist Features

Bucket shake	■
Attachment positioner	■
Auto return to dig	■
Lift arm end damping	■
Ride control	■

Other

Manuals	
- Operation & Maintenance	■
- AEM Safety Manual	
Vandalism protection	
- Door locks	
- Lockable panels	■
- Lockable fluid fill points	
300 lb. (136 kg) additional counterweight	•

Certain specification(s) are based on engineering calculations and are not actual measurements. Specification(s) are provided for comparison purposes only and are subject to change without notice. Specification(s) for your individual DEVELON equipment will vary based on normal variations in design, manufacturing, operating conditions, and other factors. Pictures of DEVELON units may show other than standard equipment.

Powered by Innovation

DEVELON

A brand of HD Hyundai Infracore.

na.develon-ce.com/dtl35

DTL35 Compact Track Loader Spec Sheet
Printed in the U.S.A.
24916_001_D052324

©2024 HD Hyundai Infracore. All rights reserved.