

# DEVELON

## Articulated Dump Truck

# DA30-5



### Engine

Make	Scania
Model	DC09
Number of cylinders	5
Rated power, gross (hp per ISO 3046)	375 hp (276 kW) @ 2100 rpm
Rated power, net (hp per ISO 9249)	367 hp (269.9 kW) @ 2100 rpm
Max. torque, gross (ISO 3046)	1381 ft.-lb. (1873 Nm) @ 1300 rpm
Displacement	568 in. <sup>3</sup> (9.3 L)
Bore and stroke	5.1 in. x 5.5 in (130 mm x 140 mm)
Starter	24 V, 8 hp (6 kW)
Battery	2 x 12 V, 105 AH
Alternator	24 V, 100 amp
Air cleaner	Double elements

### Hydraulics

Main pumps	77.7 gpm (294 L/min.)
Relief pressure (main)	4061 psi (286 kg/cm <sup>2</sup> )
Emergency steer pump	13.2 gpm (50 L/min.)
System pressure (steering)	3046 psi (214 kg/cm <sup>2</sup> )

### Travel Speeds

Travel speed – forward (8)	3.7 / 5 / 6.8 / 9.9 / 14.3 / 19.9 / 28 / 34.2 mph (6 / 8 / 11 / 16 / 23 / 32 / 45 / 55 km/h)
Travel speed – reverse (4)	3.7 / 5 / 6.8 / 9.9 mph (6 / 8 / 11 / 16 km/h)

### Environment

Sound level (2000/14/EC)	107 dB(A)
Cabin sound level (ISO 6396)	71 dB(A)

### Refill Capacities

Fuel tank	95.1 gal. (360 L)
DEF tank	18.5 gal. (70 L)
Cooling system (radiator capacity)	11.9 gal. (45 L)
Engine oil	9.2 gal. (35 L)
Transmission	17.7 gal. (67 L)
Front differential	2.5 gal. (9.4 L)
Rear differential	Included in tandem
Front hub (2)	2.5 gal. (9.6 L)
Tandem housing (2)	40.9 gal. (155 L)
Rear hub (4)	Included in tandem
Hydraulic system	25.1 gal. (95 L)

### Body

Body volume (2:1)	23.3 yd <sup>3</sup> (17.8 m <sup>3</sup> )	
Body dumping time	Up: 12s / Down: 10s	
Level capacity	with tailgate	18.6 yd <sup>3</sup> (14.2 m <sup>3</sup> )
	without tailgate	17.8 yd <sup>3</sup> (13.6 m <sup>3</sup> )
Heaped capacity	with tailgate	23.3 yd <sup>3</sup> (17.8 m <sup>3</sup> )
	without tailgate	22 yd <sup>3</sup> (16.8 m <sup>3</sup> )
Density index	2809 lb./yd <sup>3</sup> (1667 kg/m <sup>3</sup> )	

### Hydraulic Cylinders

Body tilt (2) bore x stroke	4.5 in. x 90.2 in. (115 mm x 2290 mm)
Steering (2) bore x stroke	3.9 in. x 20.3 in. (100 mm x 515 mm)

The piston rods and cylinder bodies are made of high-strength steel. A shock-absorbing mechanism is fitted in at the base and rod end of the lift and bucket cylinders and the rod end of the steering cylinders to ensure shock-free operation and extended piston life.

NOTE: Where applicable, dimensions are in accordance with Society of Automotive Engineers (SAE) and ISO standards. Specifications and design are subject to change without notice. All dimensions are given for DEVELON articulated dump trucks equipped with standard tracks and the standard front as listed. Pictures of DEVELON articulated dump trucks may show other than standard equipment. All dimensions are shown in inches. Respective metric dimensions are enclosed by parentheses. DEVELON equipment is manufactured with a Quality Management System that is in compliance with ISO 9001:2008.

# Features

# DA30-5

## Suspension

---

- Front: semi-independent, self-leveling hydro-gas suspension
- Rear: free-swinging tandem housing

## Articulation Hinge and Steering

---

- Articulation hinge with forward-mounted turning ring
- Steering cylinders (two): double-acting
- Steering approved according to ISO 5010
- Maximum steering angle: 45°
- Ground-driven emergency steering pump

## Driveline

---

- Full-time 6×6 drive: two transverse differentials, one longitudinal
- Front and rear axle transverse differential: limited-slip diff lock with 45% locking ratio
- Inter-axle longitudinal differential:
  - Torque-proportioning differential: integrated into ZF transmission
  - Torque distribution: 1/3 to the front axle, 2/3 to the rear axle, 100% lockable
- Tandem housing: gear driven, free-swinging  
Provides equal drive to rear wheels and ensures the best possible ground contact – whatever the ground conditions.

## Brake System

---

- Dual circuit braking system acting on all six wheels
- Approved according to ISO 3450
- All hydraulic-operated brakes with enclosed oil-cooled wet multiple discs on four hubs (braking force distributed to two hubs by tandem gear wheels)
- Spring actuated hydraulic released parking brake, mounted on driveline shaft
- Maximum gradient, parking brake: 15°
- Automatic transmission retarder as standard

## Cab

---

- Approved to ROPS/FOPS standards (ISO 3471/ISO 3449)
- Low interior sound level: 71 dB(A) (ISO 6395)
- External sound level: 107 dB(A) (ISO 6396)
- Cab centrally located on rubber mountings
- Hand and arm vibrations less than 2.5 ms<sup>2</sup> (ISO 5349-2)
- Whole body vibration less than 0.5 ms<sup>2</sup> (ISO 2631-1)
- Superior visibility – for safer operation
- Superior operating controls location
- Adjustable suspended operator seat
- Adjustable steering column
- Climate control – heater and air conditioning
- Tilting for service access
- All-around hand rails



# Technical Specifications

## Dimensions

Gross weight	112877 lb. (51200 kg)	
Net weight	51147 lb. (23200 kg)	
Payload	61729 lb. (28000 kg)	
Empty weight distribution	front axle	28131 lb. (12760 kg)
	rear axle	23016 lb. (10440 kg)
	front/rear	55% / 45%
Loaded weight distribution	front axle	34992 lb. (15872 kg)
	rear axle	77885 lb. (35328 kg)
	front/rear	31% / 69%

## Ground Pressures

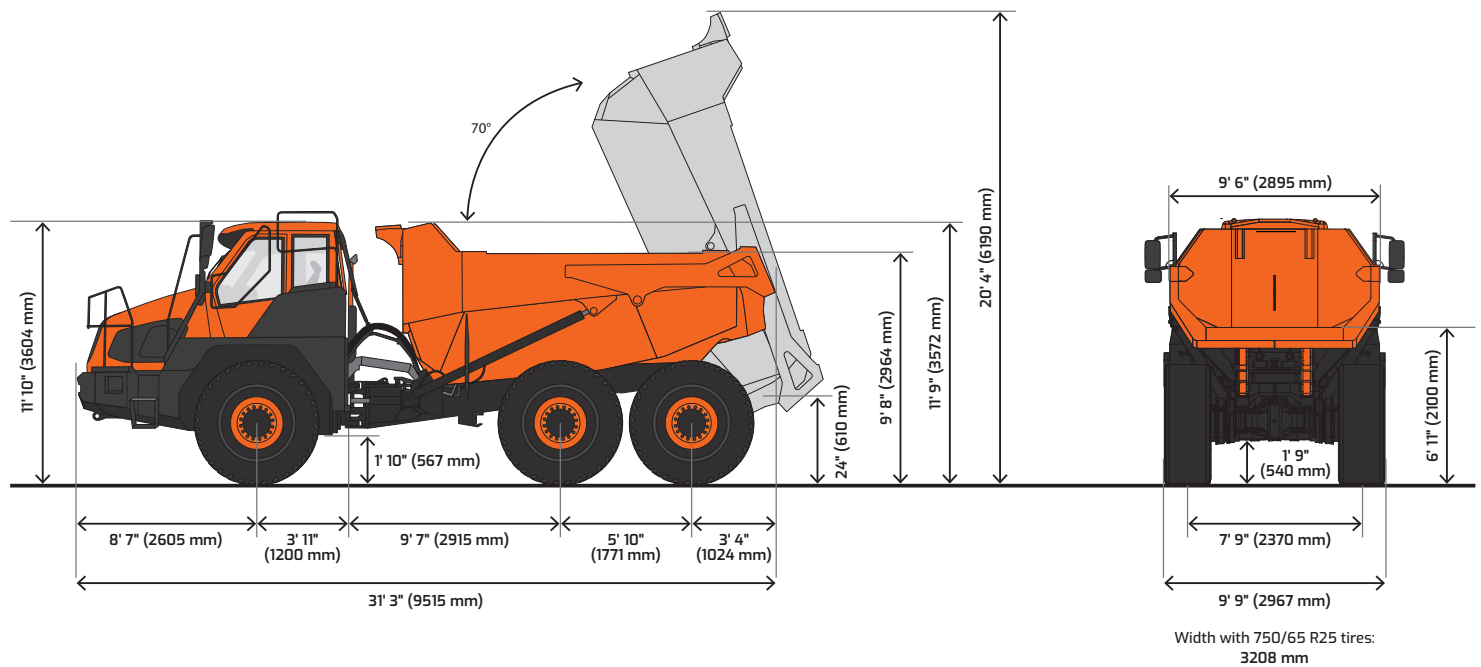
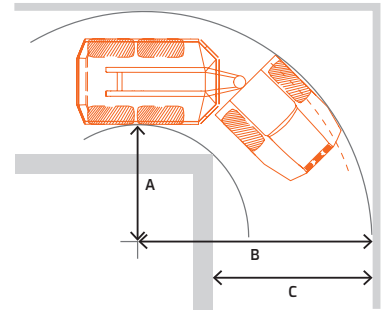
Empty	front axle	15.8 psi (1.11 kg/cm <sup>2</sup> )
	rear axle	7.0 psi (0.49 kg/cm <sup>2</sup> )
Loaded	front axle	19.7 psi (1.39 kg/cm <sup>2</sup> )
	rear axle	23.6 psi (1.66 kg/cm <sup>2</sup> )

## Power to Weight Ratio

Empty	14.16 hp/tn (11.64 kW/t)
Loaded	6.41 hp/tn (5.27 kW/t)

Turning radius according to ISO 7457:  
25' 2" (7680 mm)

A = 13' 1" (3995 mm)  
B = 26' 4" (8030 mm)  
C = 17' 4" (5280 mm)



# Standard & Optional Equipment

■ Standard    ● Optional

## Engine

Emissions, T4 (EPA)	■
High-pressure common-rail (HPCR)	■
Cooled exhaust gas recirculation (CEGR)	■
Exhaust brake	■
Selective catalyst reduction (SCR)	■
Diesel exhaust fluid (DEF)	■
Fuel filter with water separator	■
Coolant recovery tank	■
Dual element dry-type air filter with evacuator	■
Electronic engine control (ECU)	■
Cool-down mode	■
Diesel-powered coolant heater	■
Block heater (110 V)	●

## Hydraulic

Variable displacement axial piston pump	■
Cooling fan – hydraulic, variable speed	■
Emergency steering pump (ground driven) – variable displacement radial piston	■

## Electrical

System voltage – 24 V	■
Alternator – 24 V, 100 amp	■
2 x 12 V batteries, 140 AH reserve capacity	■
Blade-type fuse panel	■
Lights, work (halogen): front & rear	●
Lights, work (LED): front & rear	●
Lights, stop, tail & direction indicators	■
Rotating beacon	●
Hour meter	■
Rearview camera	■
Laptop service port	■
Self-diagnostics system	■
Emergency shutdown switch	■

## Controls

Adjustable steering column - Tilting - Telescoping	■
Throttle pedal (accelerator)	■
Brake pedal	■
Gear selector ("trip-tonic")	■
Body hoist lever	■
Adjustable hydrodynamic retarder lever	■
Switches, console-mounted - Key switch - Parking brake	■
Buttons & indicator lights, keypad - Parking lights - Main lights - Engine pre-heater - Hazard lights - Rear axle differential lock - Inter-axle differential lock - Retarder control - Fuel heater - Heated seat - Heated mirrors - Rear work lights - Rotating beacon - Work lights - Interior cabin light	■

## Cabin

Steel, all-weather & sound-suppressed	■
ROPS (ISO 3471)	■
FOPS (ISO 3449)	■
Front window with wiper/washer	■
Rear window	■
Tinted safety glass	■
Visor, retractable	■
Adjustable sliding side door window	■
Defrost	■
Lockable doors	■
Seat - Air suspension - 2" (51 mm) seat belt - Adjustable height & recline - Adjustable fore/aft - Adjustable armrests	■
Seat, heated	●
Instructor's seat, folding	■
Storage for operator's manuals	■
Mirror, interior rearview, exterior (2)	■
Mirror, exterior, heated	●
Fully adjustable HVAC	■
Multi-function LCD player	■
Cigarette lighter	■
AM/FM stereo with CD player & MP3 port	■
Speakers (2)	■
Antenna	■
Space for cooler box	■
Storage	■
Power socket, 12 V	■
Beverage holder	■
Interior light	■
Guard, rear window	■
Cab tilting system	■

## Display Monitor & Warnings

Buzzer - Brake system - Parking brake	■
Gauges - Fuel level - DEF level - Engine coolant temperature - Transmission oil temperature - Retarder oil temperature - Payload meter - Gradient meter - Engine rpm	■
Warning & indicator lights - Seat belt - Error code - SCR warning - Check engine - Engine oil pressure - Engine pre-heat engaged - Radiator coolant level & temperature - Air filter - Fuel level - DEF level - Lights (high, main, work, beacon)	■
- Speedometer - Transmission gear indicator - Battery voltage - Digital clock - Trip meter - Hour meter - Fuel consumption	■
- Direction signal - Emergency steering - Transmission mode - Transmission lock-up - Transmission oil temp - Transmission gear indicator - Retarder oil temperature - Retarder brake - Lubrication system - Body down - Parking brake indicator - Payload indicator	■
Payload indicator, external	■

## Frame & Suspension

Articulation hinge	■
Steering cylinder, double-acting (2) – cushion, retracting	■
Turning ring, forward-mounted	■
Towing hook, front & rear	■
Sloping rear frame	■
Independent, hydro-gas cylinder with pressure accumulators	■
Tires, radial 23.5 R25 (Techking)	■
Tires, radial 23.5 R25 (various brands)	●
Tires, radial 750/65R25 (various brands)	●
Tire pressure monitoring (certain tires only)	●

## Driveline

Transmission, automatic – electronic shift control	■
Torque converter lock-up clutch	■
6x6 drive, full-time	■
Tandem rear bogey – gear-driven, free-swinging	■
Driveline interaxle differential – 1/3 front, 2/3 rear, torque divider, 100% locking ratio	■
Front axle transverse differential – limited-slip, 45% locking ratio	■
Rear axle transverse differential (1) – limited-slip, 45% locking ratio	■
Rear axle transverse differential (1) – clutch-engaged, torque-dependent locking ratio	■
Automatic hydrodynamic transmission retarder	■
Automatic engine brake	■
Braking system, dual circuit	■
Hydraulic, wet multiple discs – 4 (front & mid wheels)	■
Parking brake, spring-applied hydraulic release – driveshaft mounted	■

## Body

Body, high-tensile Hb400 steel	■
Body (none)	●
Lifting cylinder, double-acting (2) – cushion, extending	■
Tailgate, scissor type	■
Tailgate (none)	●
Spill guard on front of body	■
Body heating kit	■
Body heating	■
Body lining, standard	●
Body lining, full	●
Side extensions	●

## Other

Automatic lubrication system	■
Handrails & service steps	■
Skid-resistant steps & service platforms	■
Body lift support	■
Fire extinguisher	●
First aid kit	●
Manuals - Operation & Maintenance - Parts - AEM Safety Manual	■
DEVELON Fleet Management	■
Vandalism protection - Lockable panels - Lockable fluid fill points	■
Toolkit	●
Fast fill	●
Mud flaps	■

Certain specification(s) are based on engineering calculations and are not actual measurements. Specification(s) are provided for comparison purposes only and are subject to change without notice. Specification(s) for your individual DEVELON equipment will vary based on normal variations in design, manufacturing, operating conditions, and other factors. Pictures of DEVELON units may show other than standard equipment.

# Powered by Innovation

# DEVELON

A brand of HD Hyundai Infracore.

[na.develon-ce.com/da30-5](https://na.develon-ce.com/da30-5)

DA30-5 Articulated Dump Truck Spec Sheet  
Printed in the U.S.A.  
23906\_002\_D041124

©2024 HD Hyundai Infracore. All rights reserved.